

Installation TopFix / RecessFix [R1]

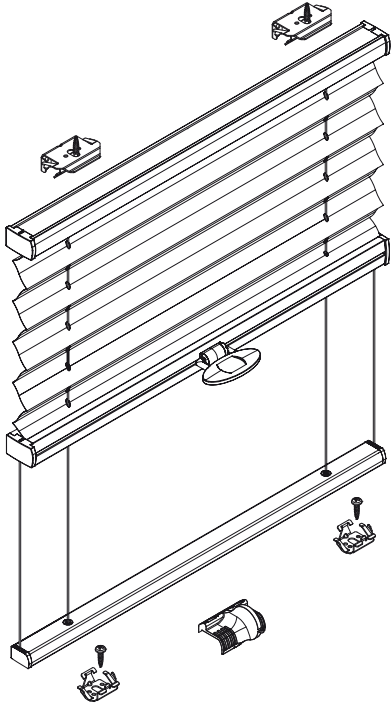


Model
2102
2152

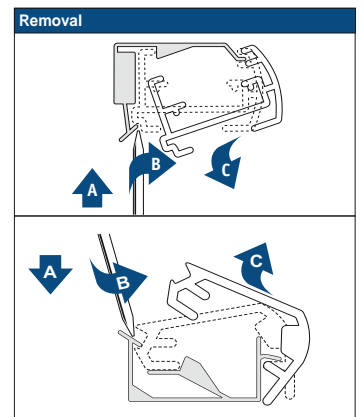
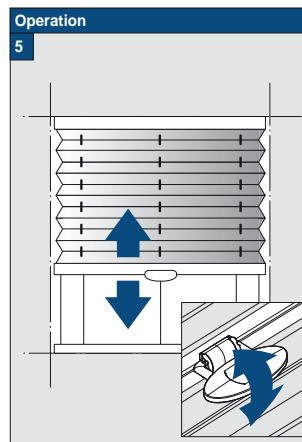
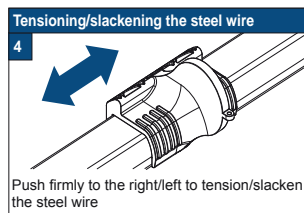
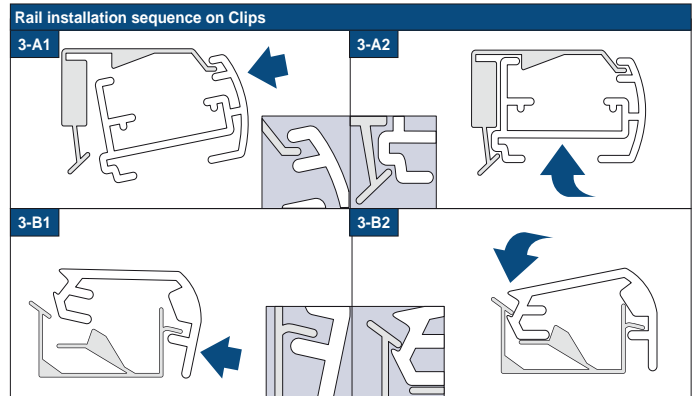
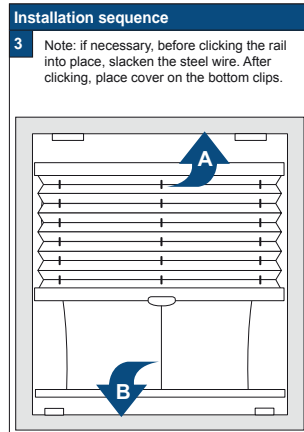
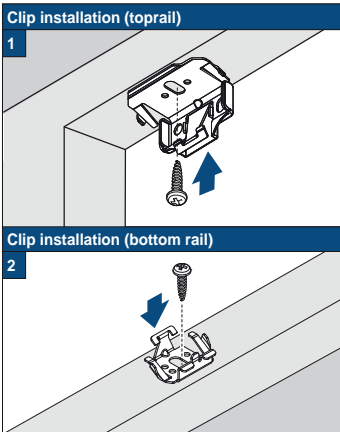
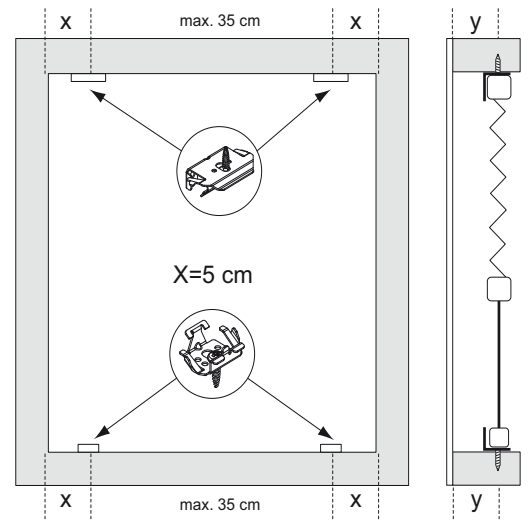
! Do not damage the product when using a sharp knife to open the packaging! Fitting screws: Use a size-2 screwdriver (PO-ZIDRIVE) or use an electric screwdriver at it's lowest torque.
● Rail removal: Use a flat screwdriver of max. 6 mm wide. Only

use the original screws enclosed, to prevent malfunctioning from using too thick screw heads!

Installation and User's manual PB - GB



Product width	Number of parts			
0 - 80 cm	3	3	1	6
81 - 115 cm	4	4	1	8
116 - 150 cm	5	5	1	10



21-03-2014

FaceFix installation to a window frame / wall [F1]

Luxaflex

Model

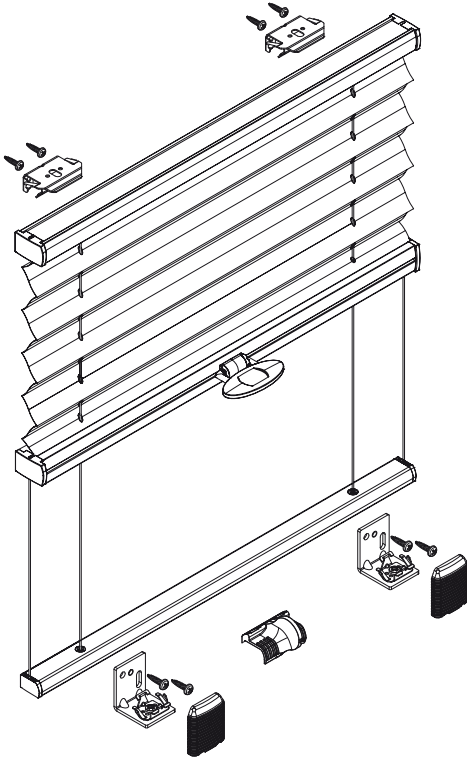
2102

2152

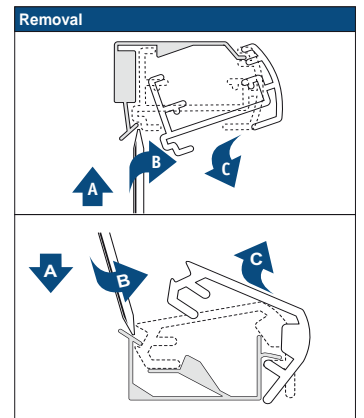
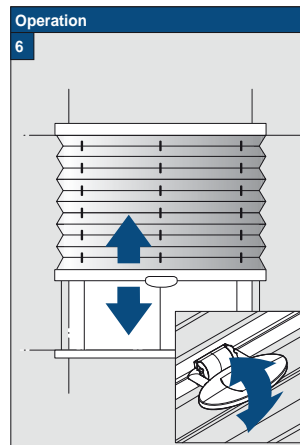
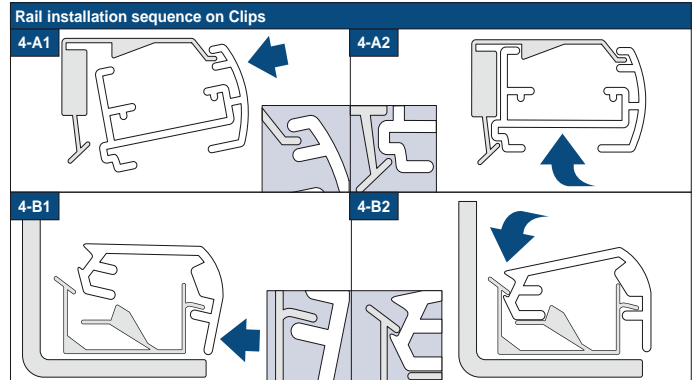
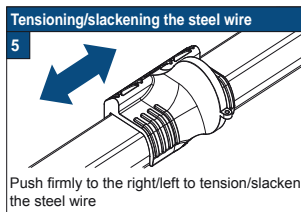
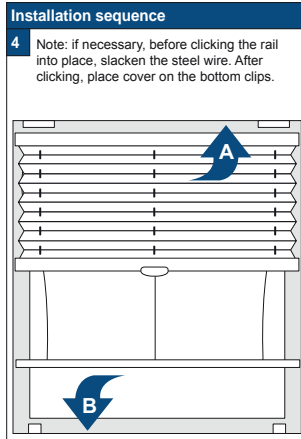
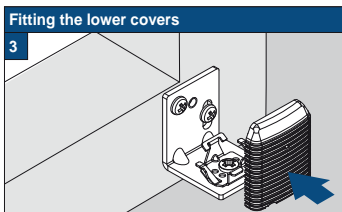
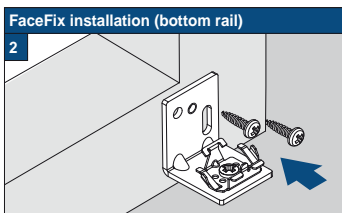
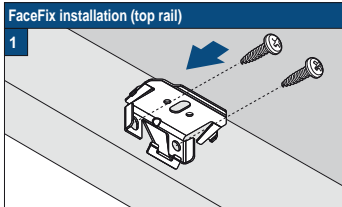
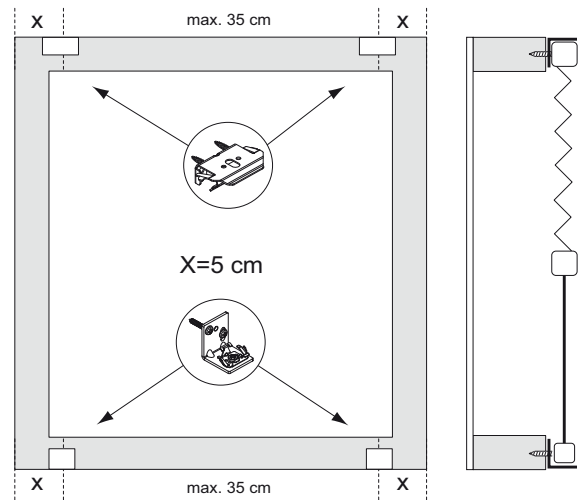
- ! Do not damage the product when using a sharp knife to open the packaging! Fitting screws: Use a size-2 screwdriver (PO-ZIDRIVE) or use an electric screwdriver at it's lowest torque.
- Rail removal: Use a flat screwdriver of max. 6 mm wide. Only

use the original screws enclosed, to prevent malfunctioning from using too thick screw heads!

Installation and User's manual PB - GB



Product width	Number of parts						
0 - 80 cm	3	3	3	3	1	12	3
81 - 115 cm	4	4	4	4	1	16	4
116 - 150 cm	5	5	5	5	1	20	5



21-03-2014