

# Installation TopFix / RecessFix [R1]

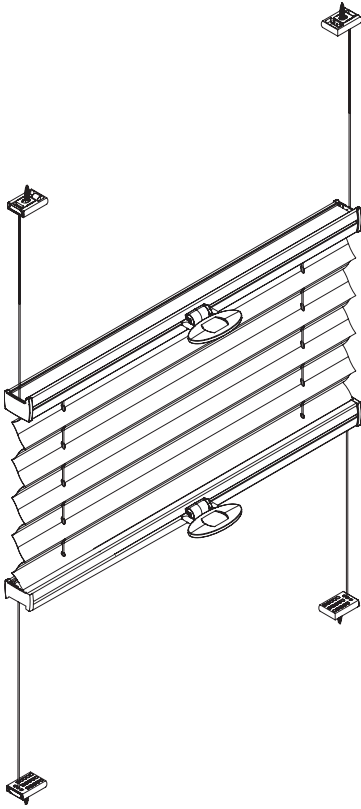


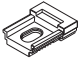

**Model**  
**3242**

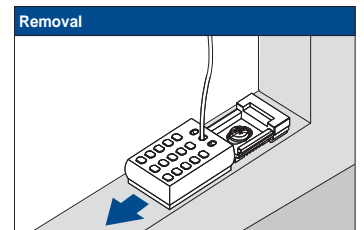
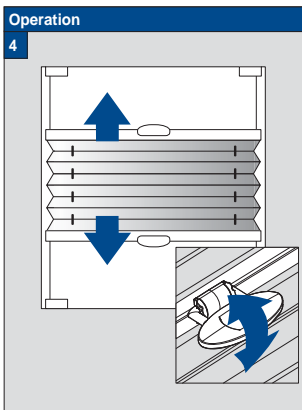
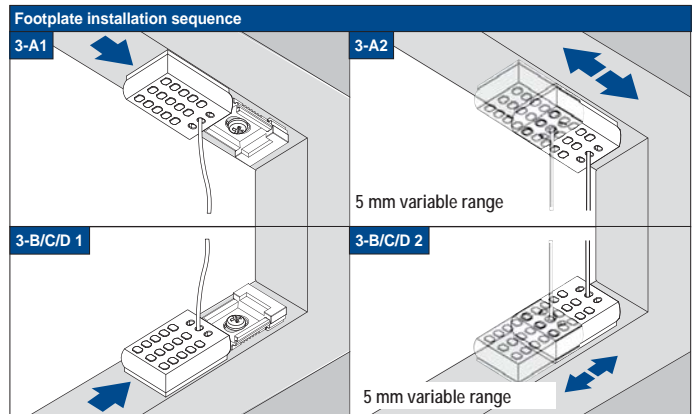
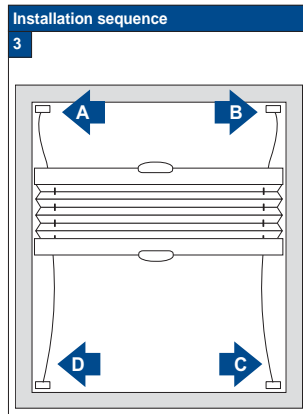
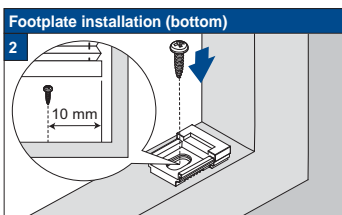
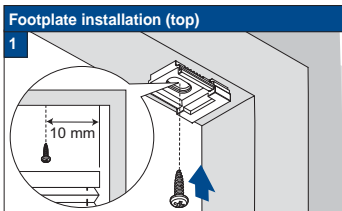
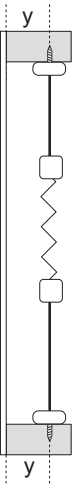
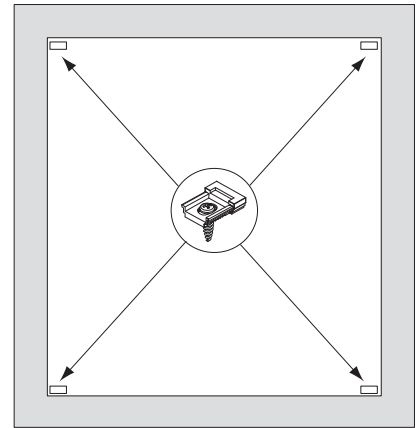
**!** Do not damage the product when using a sharp knife to open the packaging! Fitting screws: Use a size-2 screwdriver (PO-ZIDRIVE) or use an electric screwdriver at it's lowest torque.  
**●** Rail removal: Use a flat screwdriver of max. 6 mm wide. Only

use the original screws enclosed, to prevent malfunctioning from using too thick screw heads!

Installation and User's manual PB - GB



Product width	Number of parts	
0 - 120 cm		
	4	4



21-03-2014

# FaceFix installation to a window frame / wall [F1]

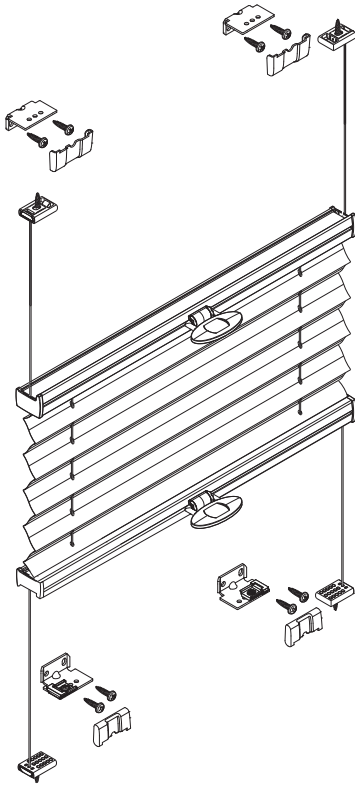


**Model**  
**3242**

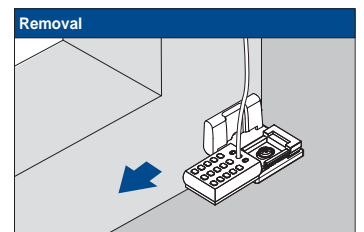
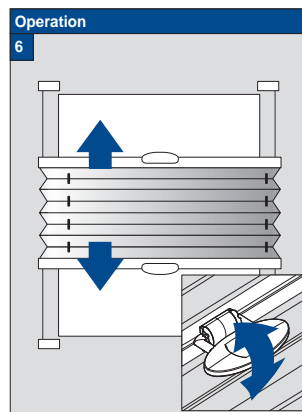
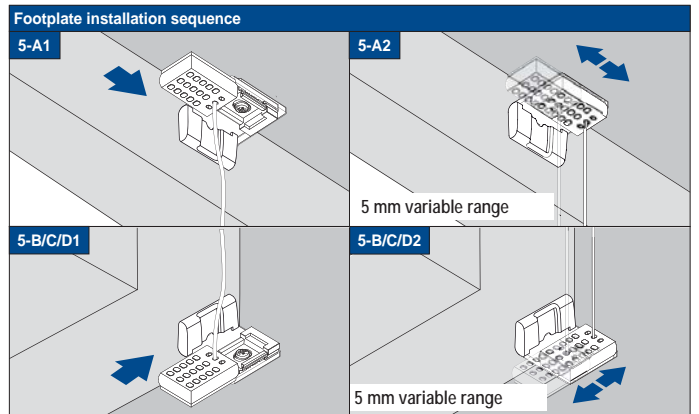
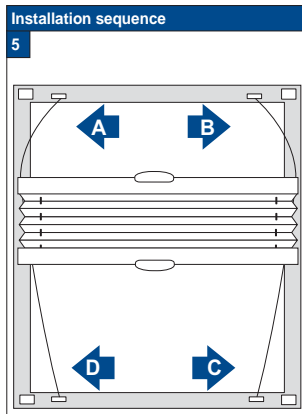
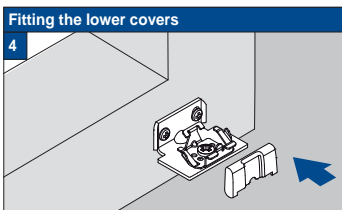
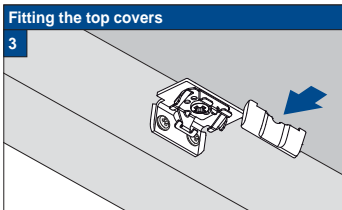
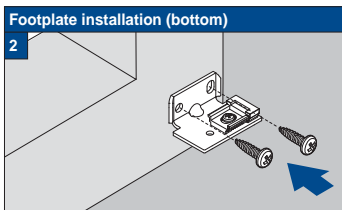
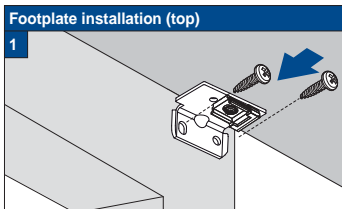
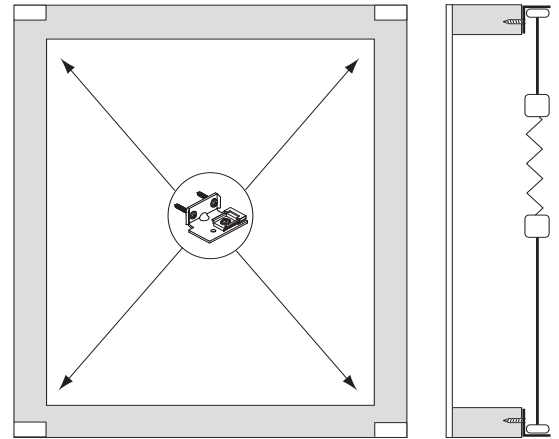
**!** Do not damage the product when using a sharp knife to open the packaging! Fitting screws: Use a size-2 screwdriver (PO-ZIDRIVE) or use an electric screwdriver at it's lowest torque.  
**●** Rail removal: Use a flat screwdriver of max. 6 mm wide. Only

use the original screws enclosed, to prevent malfunctioning from using too thick screw heads!

Installation and User's manual PB - GB



Product width	Number of parts				
0 - 120 cm	4	4	4	8	4



02-10-2015