



Photo from Huslän Vårdarhus

## Installation manual

# Droparm awning *Falsterbo, Falkenberg & Falkenberg Max*

Simply brighter living

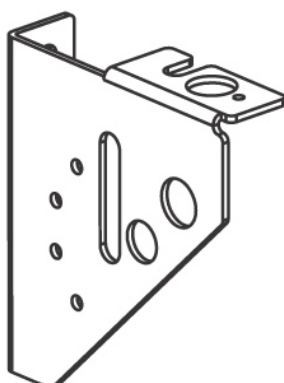


# Mounting

Wall bracket



Recess bracket



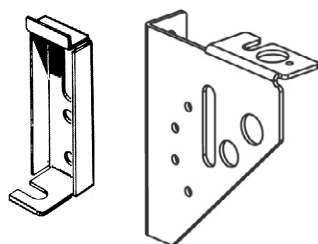
## IMPORTANT SAFETY INSTRUCTIONS:

- Ensure that the awning is fixed to a sufficiently secure base.
- Warning for decayed wood, plaster that has crumbled away or brick and thin panel material.
- Check that windows can be opened after mounting the awning.
- The motor and any control equipment must be installed by an authorised electrician.

# Installation instructions

1

The awning cassette is fastened with installation wall brackets or installation brackets. The installation bracket is used when the wall bracket doesn't fit, i.e when the window frame is too narrow or drilling above the window isn't advisable. The installation brackets come in lengths between 45-185 mm. Operation can be placed inside or outside the house and on left or right hand side.

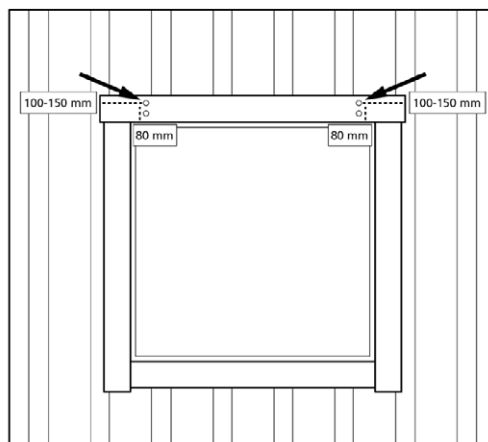


2

Drill holes and fasten the Installation wall bracket on the window frame, 100-150 mm in from the end caps of the awning cassette, placing the top hole 80 mm above the window frame edge. See picture.

Fasten the brackets. Hook the awning cassette to the brackets, adjust sideways if needed.

Put the T-slot bolt into the groove and tighten the flange nut on the wall bracket.



3

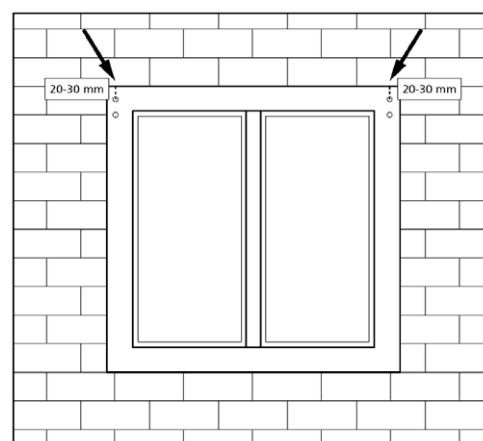
Drill holes ( $\varnothing$  4 mm) for the installation bracket screws, placing the top hole apr. 20-30 mm from the top of the edge of the window frame.

Put screws into the holes and tighten them until they only come out apr. 5 mm.

Hook the brackets to the screws and tighten.

Place the awning cassette on the brackets, adjust sideways if needed.

Put the T-slot screw into the groove and tighten the flange nut on the niche bracket.

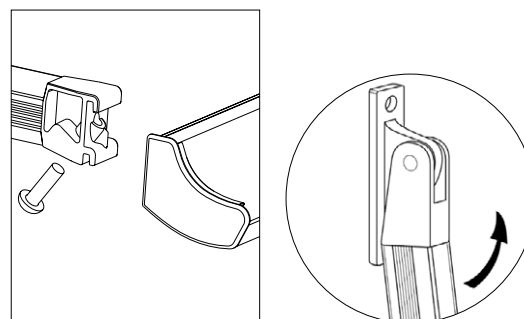


4

Connect the spring on the arm by fastening the cord into one of the holes in the back of the armbracket. The top hole gives the strongest tension. Attach the arms onto the wall.

First tighten the top screw, carefully flip the arm upwards, and tighten the lower screw. With a firm grip on the awning arm, now with tension from the spring, move the arm towards the front profile, attach it and fasten the arm onto the front profile.

If the arm is correctly mounted, there should be a 10 mm distance between the front profile and the awning cassette when the awning is fully retracted.



**Warning:** To avoid personal injury from the tensioned arm, it must be held firmly until fastened securely.



5

**For exterior operation:**

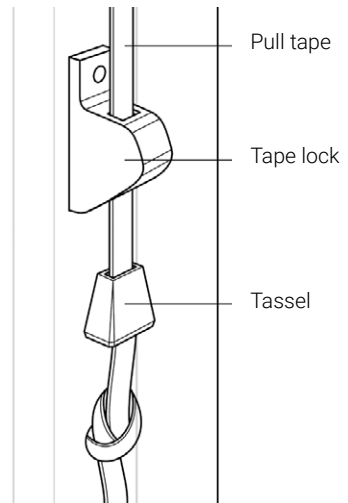
The tape hangs from under the cassette awning. Pull the tape through the top hole of the tape guide. Attach the tape lock onto the wall below the hole in the awning cassette at an appropriate height. Pull the tape through the tassel, tie a knot.



Tape guide fixed



Tape guide turnable

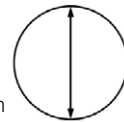


6

**For interior operation:**

Drill a hole  $\varnothing$  11-13 into the wall or the window frame. The placement of this hole, depends on where you want to pull the tape. Choose straight hole, diagonal hole or adjusted sideways, depending on where it is most convenient to drill through the wall. Drill the hole  $\varnothing$  11-13 mm from the inside of the house.

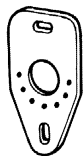
$\varnothing$  11 - 13 mm



Tape lock



Tape guide turnable



Installation plate



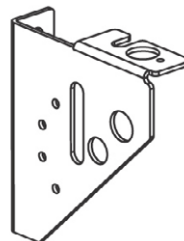
Tape guide fixed



Covering plate



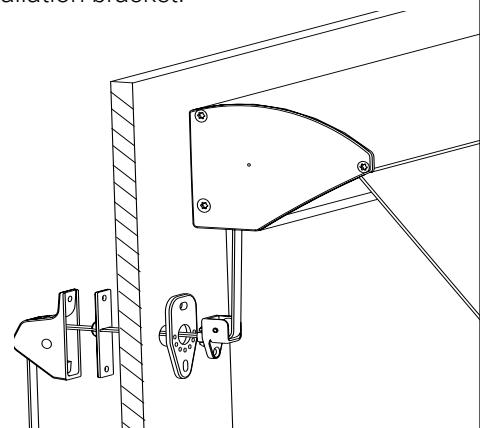
Wall bracket



Installation bracket

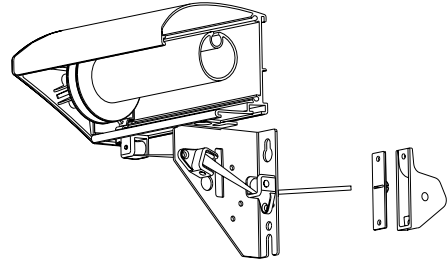
7

**Straight or diagonal hole with installation bracket wall or installation bracket.**



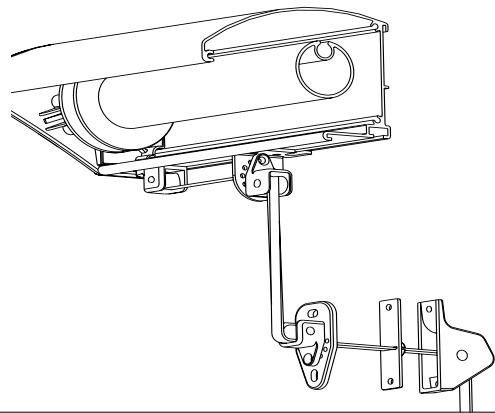
8

Sideways adjusted hole with installation bracket.



9

Sideways adjusted hole with installation wall bracket. Turn the tape guide so the pull tape runs smoothly. Pull the tape through the tassel and tie a knot.



10

Pull the awning in and out a few times, ensuring the fabric rolls perfectly. Adjust the arms if needed. Cut the pull tape when the awning is fully projected/out.

# Information to the user

## **Cleaning:**

The frame and the fabric are subjected to dirt and pollution and should be cleaned at least once a year in order to retain their high finish. This is particularly important in more exposed installations, e.g. environments near the sea. Use a soft cloth, tepid water and a mild cleaner. Do not use a high-pressure washer as it can damage the awning fabric and any electrical equipment, etc. For a detailed description of cleaning the fabric, please refer to its usage instructions.

## **Removal of the awning's valance:**

The valance is the most exposed part of the awning. To increase the valance's lifespan it can be stored indoors during the winter months. First loosen the front profile's left or right end cover. Then loosen the valance's fabric lock. Move the valance to the side so that it slides out from the front profile. Put back the end cover and store the valance indoors.

## **Changing the awning fabric:**

Before changing the awning fabric it is recommended to contact the company from which the awning was purchased to arrange an inspection of the frame. This company can provide more information about changing the fabric and also provide advice in case some other component may need to be replaced in order for the awning to maintain its finish and function.

## **Warning - Always allow a professional to adjust the folding arms:**

An awning has very powerful springs inside the arm's aluminium profiles. If the arm is loosened

without first being secured it can cause serious personal injury and in the worst case death. The arms must therefore always be adjusted by a professional.

## **Warning - Always allow a professional to loosen the awning's end cover:**

The awning's end cover may need to be loosened when changing gears, the motor or the canvas. If the awning's end cover is loosened without all of the awning's arms being secure, the arms can cause serious personal injury and in the worst case death. The awning's end covers must therefore always be loosened by a professional.

## **Warning - Rolling out the awning:**

When washing windows, painting the facade, or carrying out maintenance or repair of the awning there are risks, e.g. for the ladder tipping over if the awning is rolled out when the work is being carried out. You should therefore keep the awning rolled up when work is being carried out near the sun protection. The automatic mechanisms on motorised awnings must be shut off in order to avoid unintentional operation.

Also make sure that the awning cannot make wportable infrared or bottled gas heaters tip over or come into contact with other







It is very important to follow these installation and operating instructions exactly.  
We cannot accept any responsibility for problems arising out of a failure to follow  
the installation and operating instructions.

If you would like more information and/or you are having problems, please contact  
the dealer where you bought your Luxaflex® product.

Simply  
brighter  
living



All rights reserved. Unauthorised copying is prohibited. Technical data subject to change without notice.  
No rights can be derived from copy, text pertaining to illustrations or samples. Subject to changes in  
materials, parts, compositions, designs, versions, colours etc., even without notice.  
® Registered trademark. A HunterDouglas® product. © Copyright HunterDouglas® 2025.