



## Installation manual

# Awning *Nordby*

Simply brighter living



# Icon overview



Use with sun



Don't use with snow



Don't use with rain



Don't use with hail



Class by N. of cycles



38 Km/h



Made in Europe



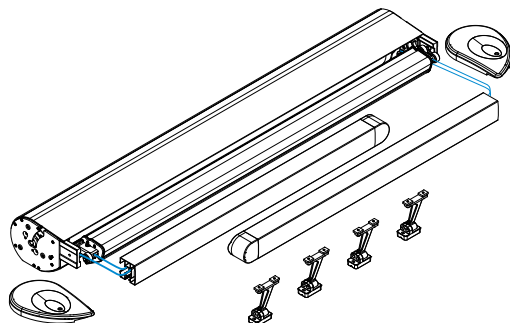
CE standards



# Installation instructions

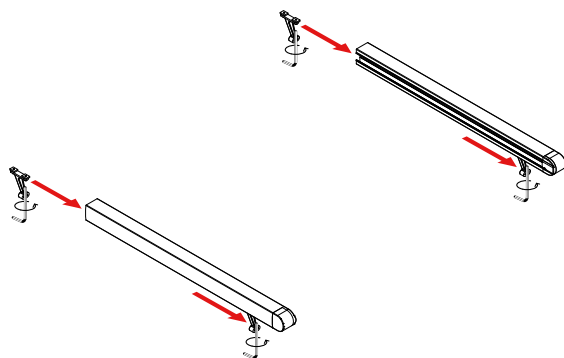
1

Check whether all components are complete.



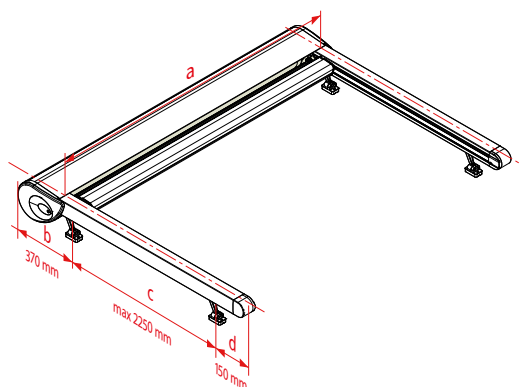
2

Slide the brackets into the guide.



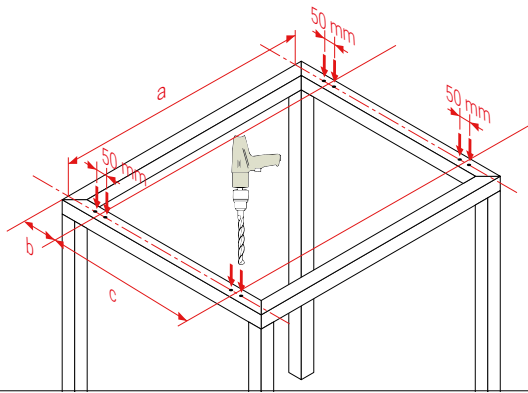
3

Determine position of mounting brackets.



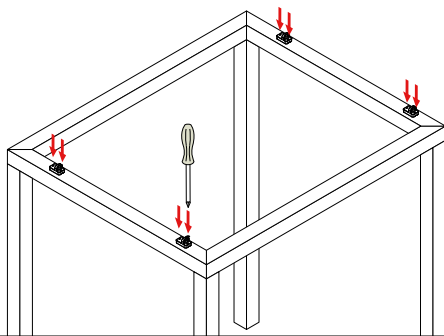
4

Drill holes according to the dimensions made.



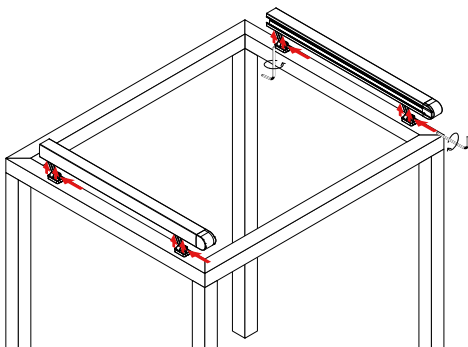
5

Mount the footplates to the Nordby awning using screws  $\varnothing$  6 mm.



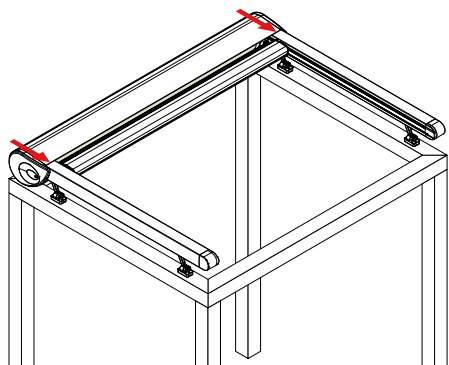
6

Mount the guides on the footplate and tighten the screws.  
Do not continue turning until you feel resistance!



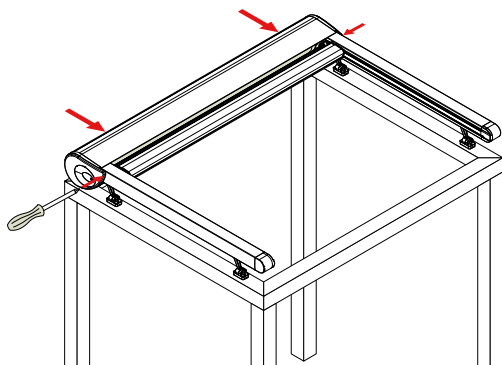
7

Mount the cassettebox on the guides.



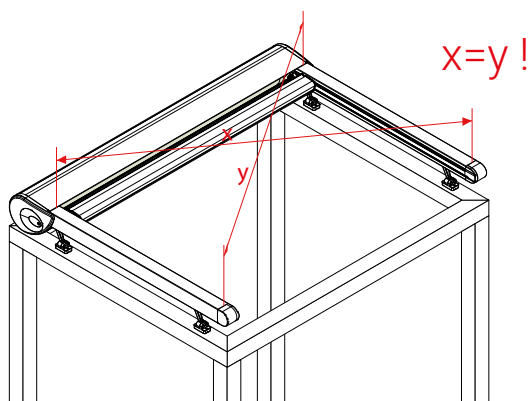
8

Push the cassette firmly and screw it to the guides on both sides.



9

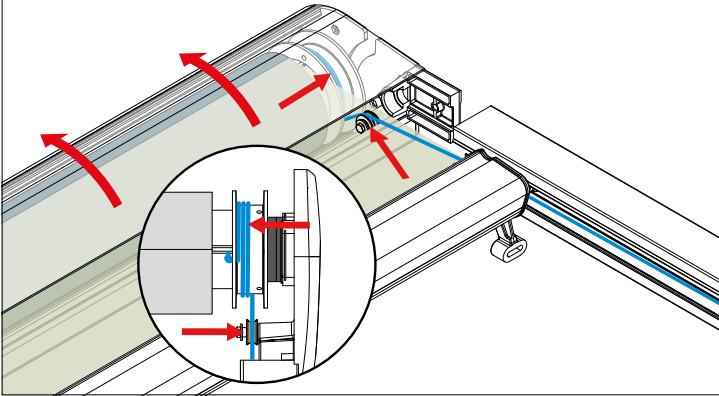
Adjust the diagonals precisely and tighten all screws the guides are attached.



**Note!** Adjustment must be done very carefully. The difference between the two diagonal sizes may be a maximum of 5 mm! Failure to meet this condition during installation may damage the product and void the warranty. It can even lead to accidents!

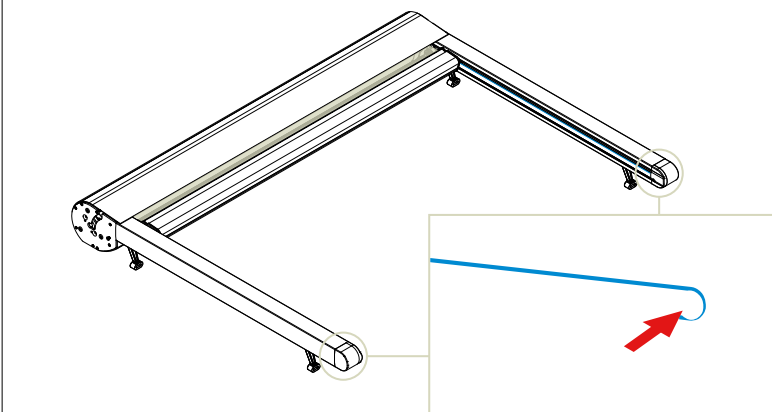
10

Open the top cover and check cord position on the cord winder and on the rollers in the side cover and screw tightening force.



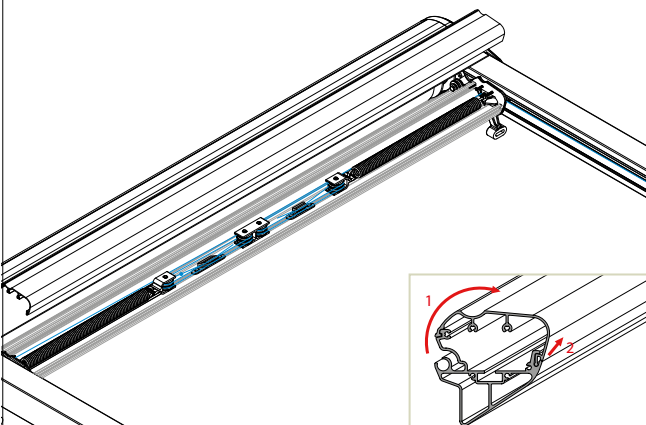
11

Check the course of the cords in end bearings of guides.



12

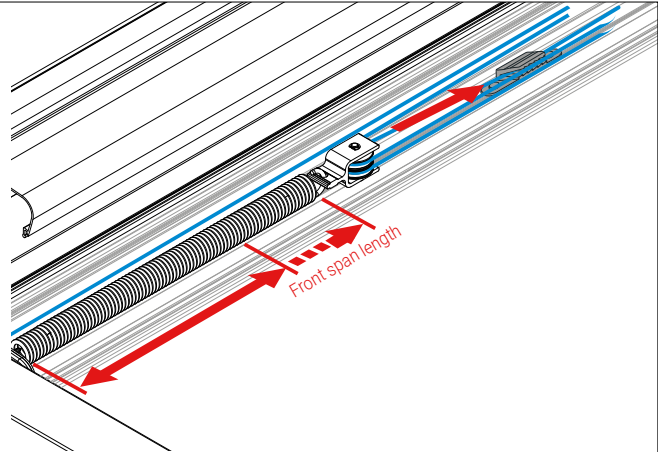
Remove the bottom rail cover to adjust the spring load.



13

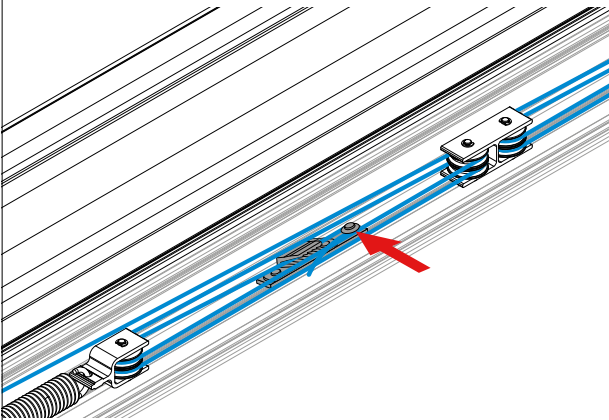
Tighten both springs and lock the cords in the clamp.

Projection in cm	Prestressing length in cm
Up to 200	3 cm per pulley set
Up to 300	4 cm per pulley set
Up to 400	5 cm per pulley set
Up to 500	8 cm per pulley set



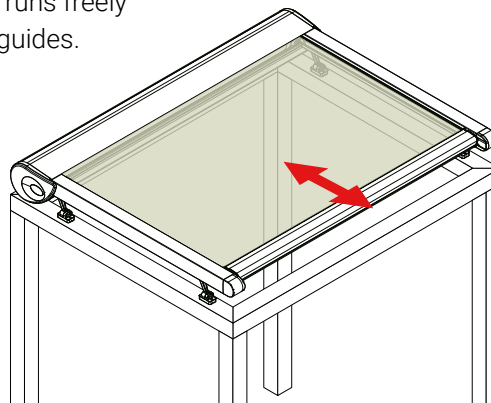
14

The drop profile must be used to adjust the spring tension be positioned just in front of the cassette. The springs in both dropprofiles are connected via the cord discs according to the table tensioned in figure 13 and fixed by means of the cord clamps. It must be ensured that the pre-tension in both projection profiles is the same size. The pre-tension of the springs may be increased by a maximum of 4 cm per side. For security, the cord is wrapped around the screw and under the disc clamped by tightening the screw. The drop profile is then closed again. Secure the end of the cord with the screw and close the front profile.

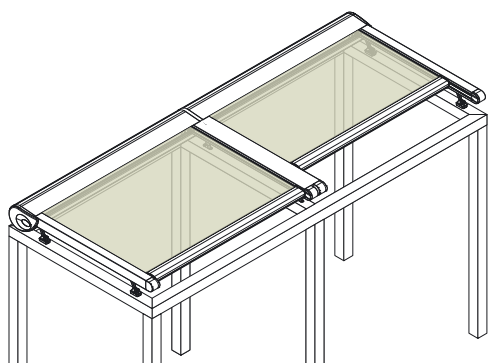


15

Check whether the bottom rail runs freely in the guides, if not adjust the guides.

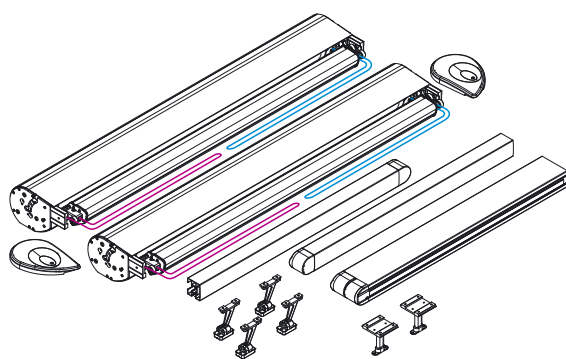


# Installation instructions - Two coupled awnings



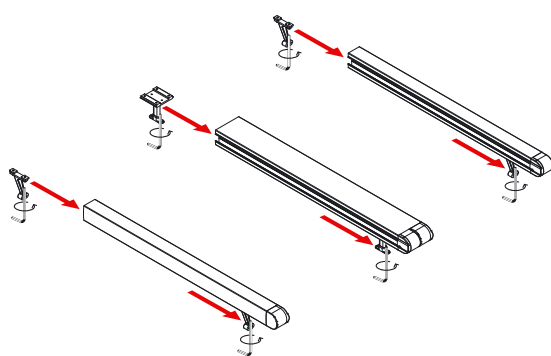
1

Check whether all components are complete.



2

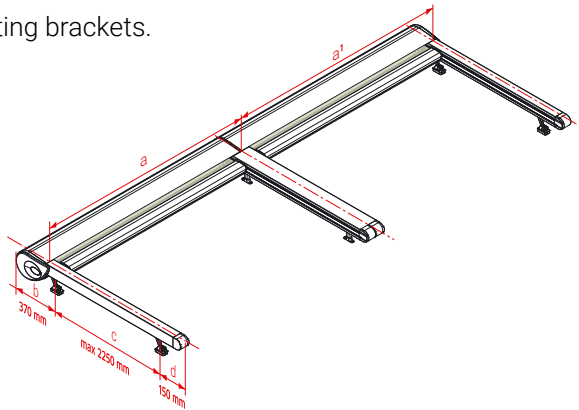
Slide the brackets into the bottom of the guides.





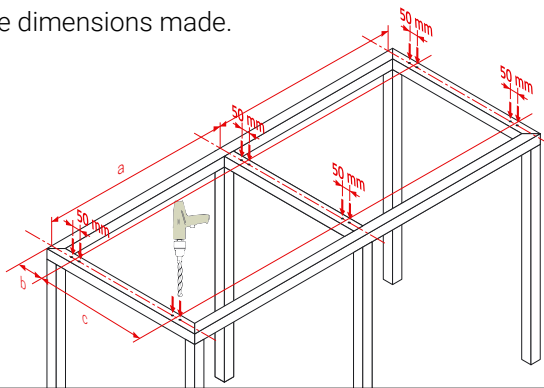
3

Determine position of mounting brackets.



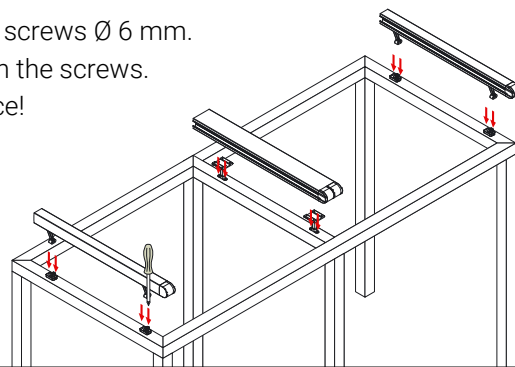
4

Drill holes according to the dimensions made.



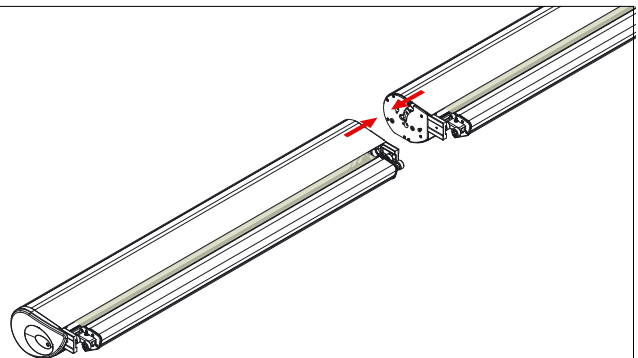
5

Mount the footplates to the Nordby roof using screws  $\varnothing$  6 mm.  
Mount the guides on the footplates and tighten the screws.  
Do not continue turning until you feel resistance!



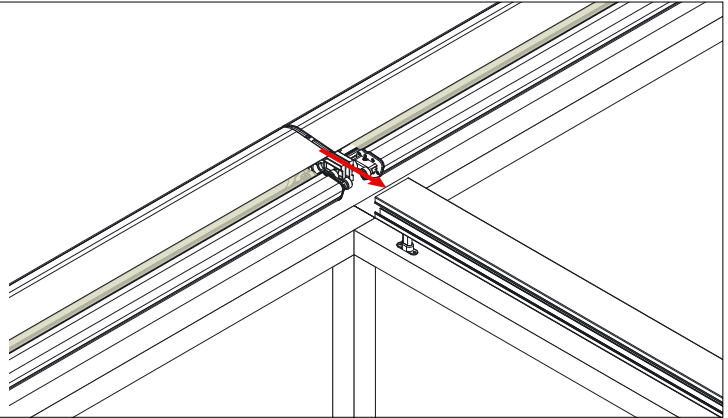
6

Place the two cassettes together.



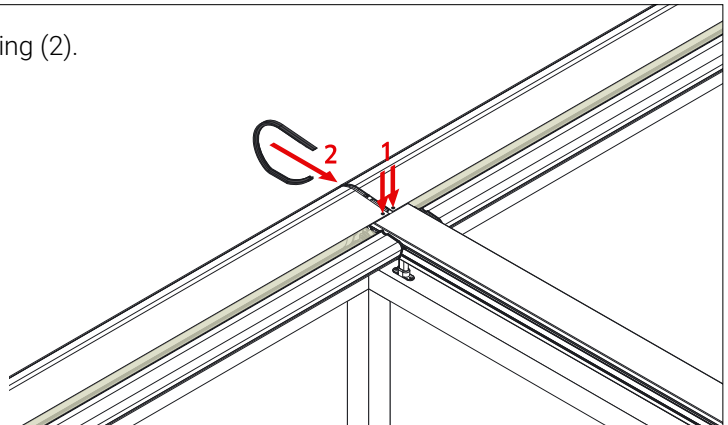
7

Mount the box/cassette on the guides.



8

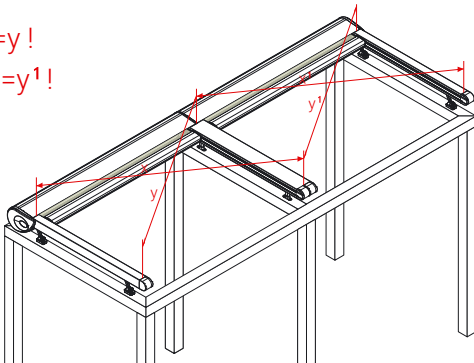
Screw it tight (1) and mount the cover ring (2).



9

Adjust the diagonals precisely and tighten all screws the guides are attached.

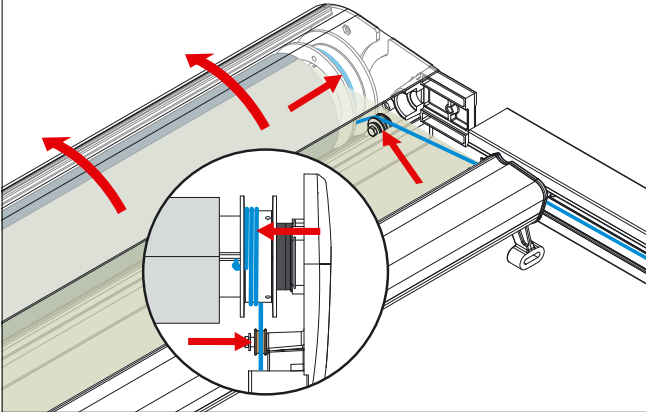
$x=y!$   
 $x^1=y^1!$



**Note!** Adjustment must be done very carefully. The difference between the two diagonal sizes may be a maximum of 5 mm! Failure to meet this condition during installation may damage the product and void the warranty. It can even lead to accidents!

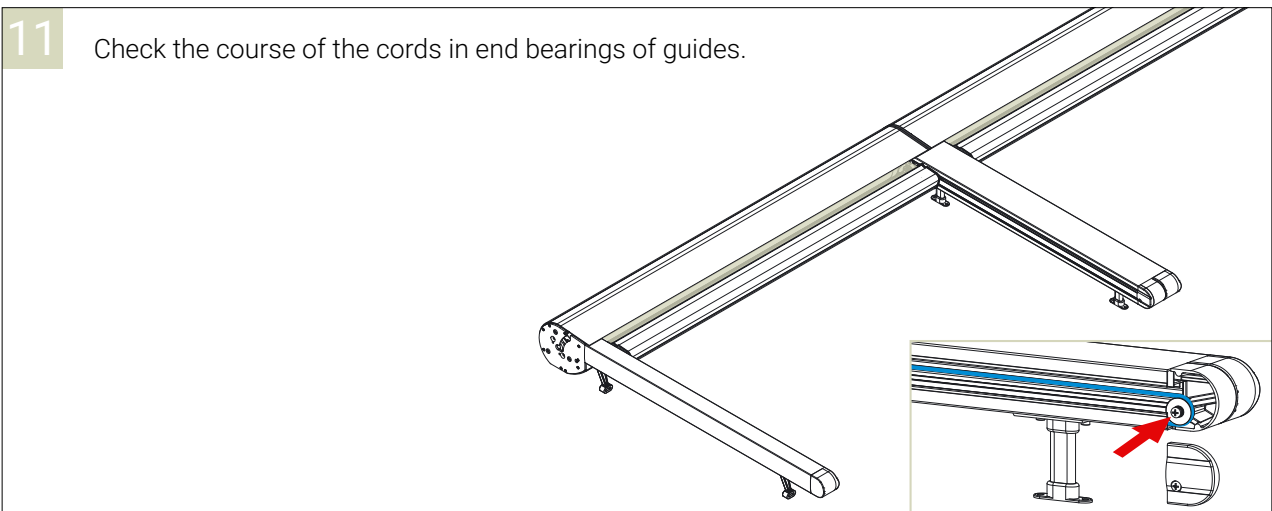
10

Open the top cover and check cord position on the cord winder and on the rollers in the side cover and screw tightening force.



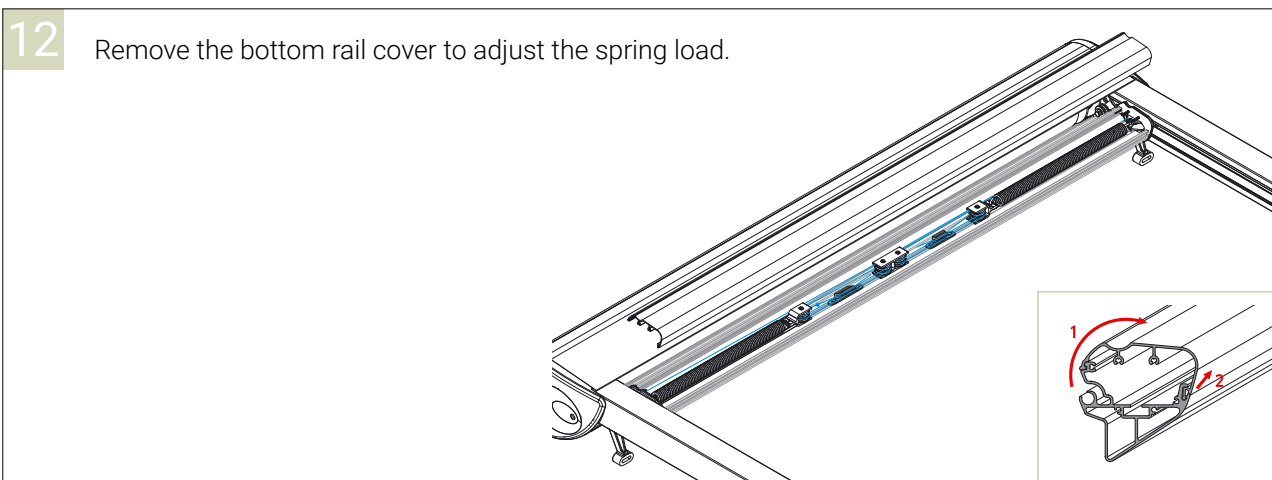
11

Check the course of the cords in end bearings of guides.



12

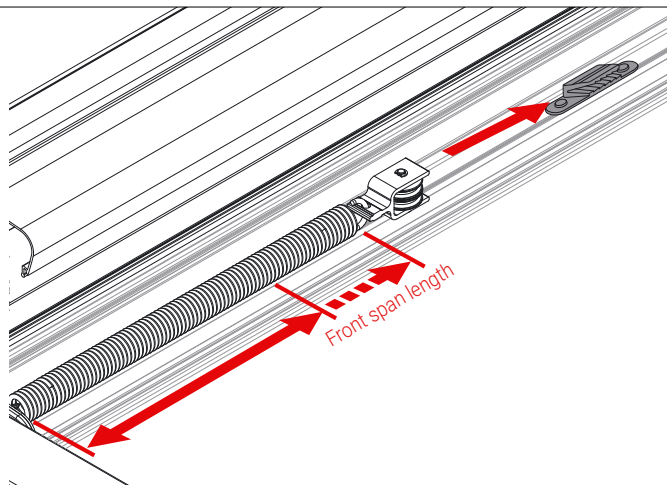
Remove the bottom rail cover to adjust the spring load.



13

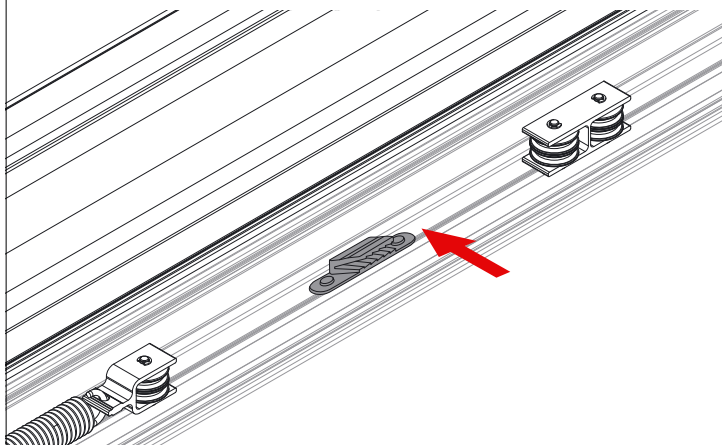
Tighten both springs and lock the cords in the clamp.

Projection in cm	Prestressing length in cm
Up to 200	3 cm per pulley set
Up to 300	4 cm per pulley set
Up to 400	5 cm per pulley set
Up to 500	8 cm per pulley set



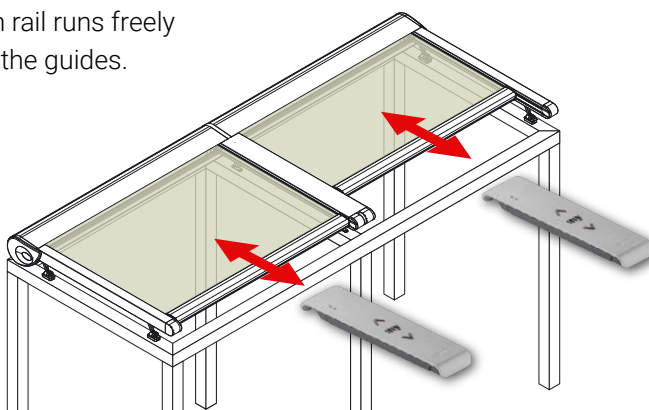
14

The drop profile must be used to adjust the spring tension be positioned just in front of the cassette. The springs in both drop profiles are connected via the cord discs according to the table tensioned in figure 13 and fixed by means of the cord clamps. It must be ensured that the pre-tension in both projection profiles is the same size. The pre-tension of the springs may be increased by a maximum of 4 cm per side. For security, the cord is wrapped around the screw and under the disc clamped by tightening the screw. The drop profile is then closed again. Secure the end of the cord with the screw and close the front frame.



15

Check whether the bottom rail runs freely in the guides, if not adjust the guides.



# Basic notes on assembly and installation:

- Assembly and installation should be done by trained personnel.
- **IMPORTANT SAFETY CONSIDERATIONS:** For proper installation of the awning, the instructions for assembly and installation must be carefully followed step by step.  
Keep plastic bags or any other mounting pieces out of children's reach.
- Do not alter the design or the configuration of the system, nor modify the installation method without consulting the manufacturer or an authorised representative.
- If the awning is to be installed in windy areas where there are frequent blackouts, back-up generator is recommended.
- When motorised units are inspected or repaired, always disconnect them from the power supply.

---

## Information to the user

The awning must be rolled away:



- In the event of ice, if operation is particularly difficult and in the absence of safety measures, stop the operation until more favorable conditions prevail.
- During opening and closing, make sure there is no obstacle which could get in the way.  
**NEVER FORCE THE AWNING!** If the awning does not move at all when you try to operate it, call a professional installer.
- Motorized awning has a thermal safety device to avoid overheating and breakdowns. This device is activated when the operating switches are pressed insistently.
- Do not submit the installation to additional loads or stresses not covered by the manufacturer's.
- Configuration. Do not interfere with the system's fixing components.
- Examine the installation if it has been subjected to adverse weather conditions, and if any repairs are needed do not use it. In such cases, a professional installer should be called.
- Keep the installation clean and in good condition. A yearly maintenance check by an authorized professional installer is recommended.
- We recommend that the awning is equipped with rain and/or wind-automation that secures that the awning is not used when it is rain or heavy wind.

It is very important to follow these installation and operating instructions exactly.  
We cannot accept any responsibility for problems arising out of a failure to follow  
the installation and operating instructions.

If you would like more information and/or you are having problems, please contact  
the dealer where you bought your Luxaflex® product.

Simply  
brighter  
living



All rights reserved. Unauthorised copying is prohibited. Technical data subject to change without notice.  
No rights can be derived from copy, text pertaining to illustrations or samples. Subject to changes in  
materials, parts, compositions, designs, versions, colours etc., even without notice.  
® Registered trademark. A HunterDouglas® product. © Copyright HunterDouglas® 2025.